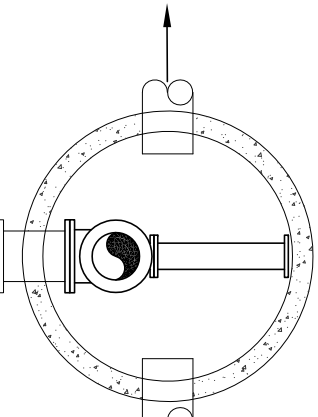


EX. 12" VALVE

RAW WATER SUPPLY



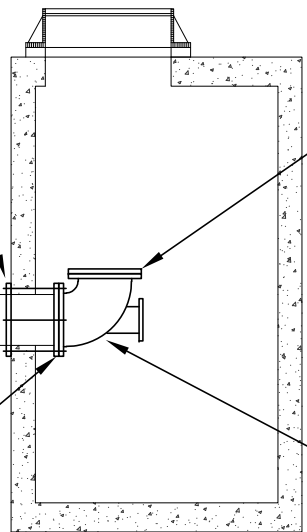
PLAN

12" SPLIT FLANGE WITH 4-THREADED RODS DRILLED THROUGH MH

EX. 12" DIP DRAIN

RAW WATER SUPPLY

12" FLANGE ADAPTER



12" BLIND FLANGE

12"x12" 90° BASE BEND

SECTION

EX. STORM MANHOLE
N.T.S.

EX. GRADE

MIN. 12'

GRADE TO DRAIN

1:1

1934.0' ±

NEW RIVER
1927.0' ∇

CUT BENCH FOR PAD

PAD SECTION
N.T.S.

NRRWA INTAKE EMERGENCY
CONNECTION PREPARATION
DETAIL SKETCH